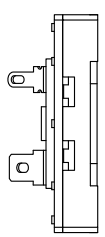
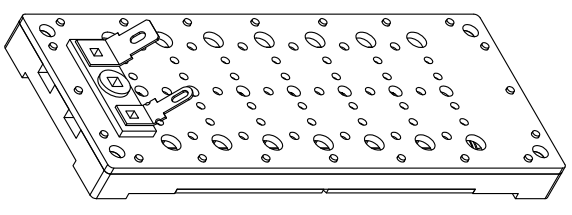
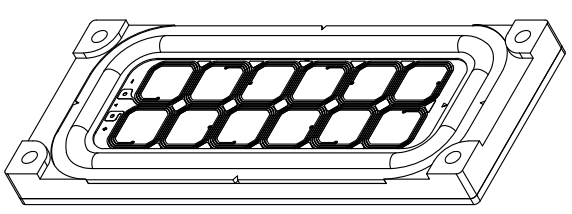
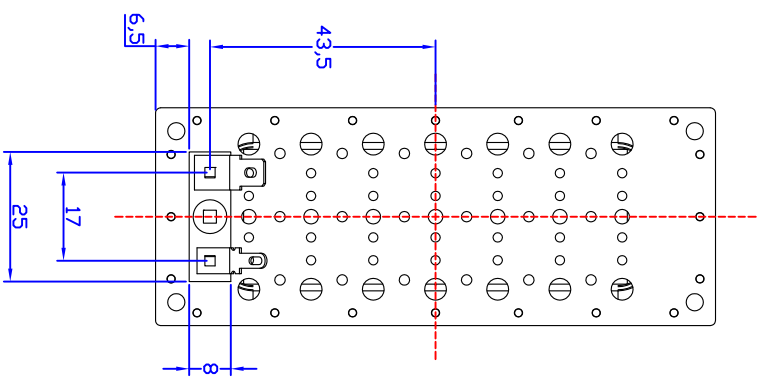
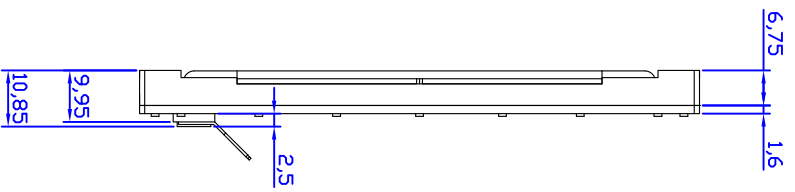
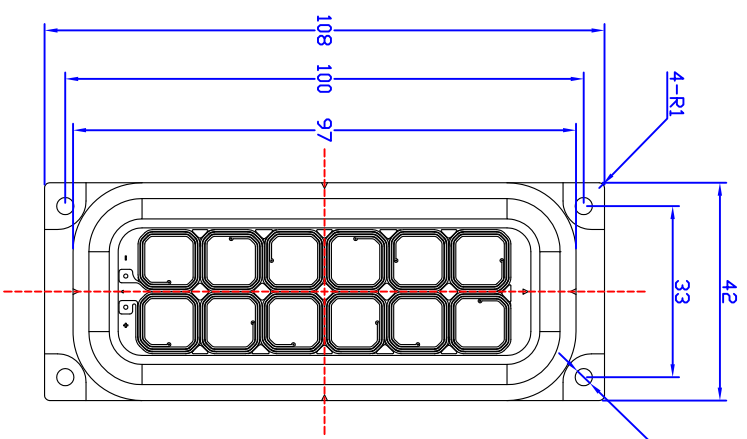


Document Name		Specifications Sheet		
Product Name :		Flat Speaker		
Customer's Part No. :				
Our Part No. :		FPS0206N3R1		
Item		Specifications		
1	Type(Dia, Stru..F-rng)	82 x 28mm、Flat、170Hz-20kHz		
2	Rated (MAX) Input	8W (14W Max.)		
3	Rated Impedance	6Ω±15%		
4	Resonance Freq (fo)	170Hz± 10%		
5	Sound Pressure Level	82dB±3dB 1W 0.5m (AVR 300,400,500,3k,4k,5k Hz)		
6	Flux Density	1.1 T (1T=10000 GAUSS)		
7	Polarity	When a positive DC current is applied to the voice coil terminal marked PLUS, the diaphragm shall move		
8	Terminal	positive side : #205 or equivalent negative side : #110 or equivalent		
9	Mass	90g		
10	Magnet	Rare Earth 10 x 10 x 3 12pcs		
11	Outside Dimensions	W42mm x H108mm x D8.4mm		
Life Test				
1	Heat Resistance	70°C 20-50% , 96 Hours		
2	Cold Resistance	-40°C, 96 Hours		
3	Humidity Resistance	92-96%, 40°C, 96 Hours		
4	Load Test	15-25°C, 96 Hours		
5	Withstand Voltage Test	AC 100V 1M Ω UPPER		
6	Environmental Standard	Comply with RoHS		
7	Pass Criterion	Be normal in an operation, sound pressure frequency characteristic, and structure. (However, we judged the Environmental test return to normal temperature and normal humidity for 24 hours after the test.)		
Representative frequency response		1W/0.5m / JIS C5532		
8				
9	APVD.	CHK.	DRAW.	Product Dept.
	Anamoto	Ito	Kuniyuki	Date Jun.4. 2007
FPS INC. Tokyo Japan				



Itemref		Quantity		Title/Name/designation/material/dimension etc		Article No./Reference	
DRAW: K.Mizuno		Checked by		Approved by - date		Date 08.08.13	
FPPS INC.		FPPS0206N3R1 外觀図		File name		Edition	
株式会社エフピーエス		EV-0206N3R1		Scale		Sheet	
No.	PART NAME	PART No.	QTY	MATERIAL	SIZE	REMARKS	CL
1		2					
3							
4							
5							