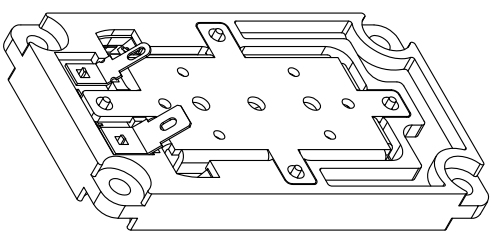
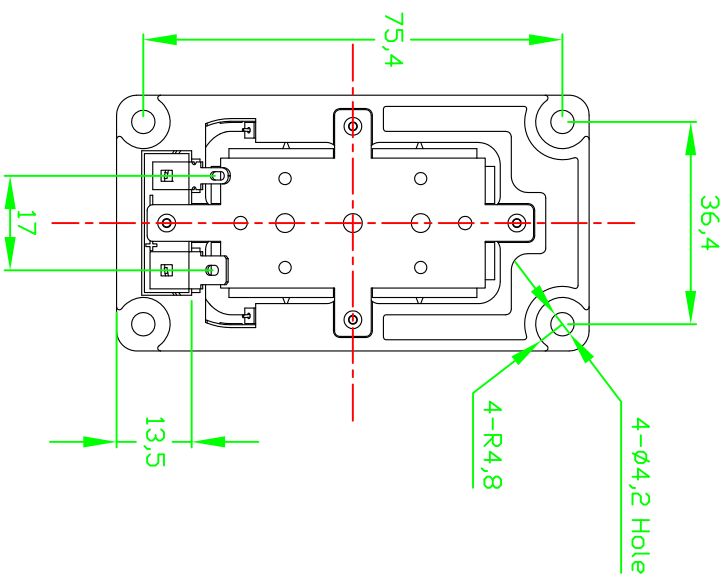
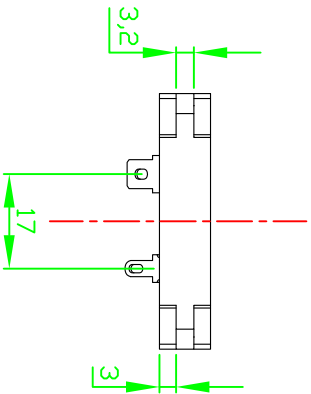
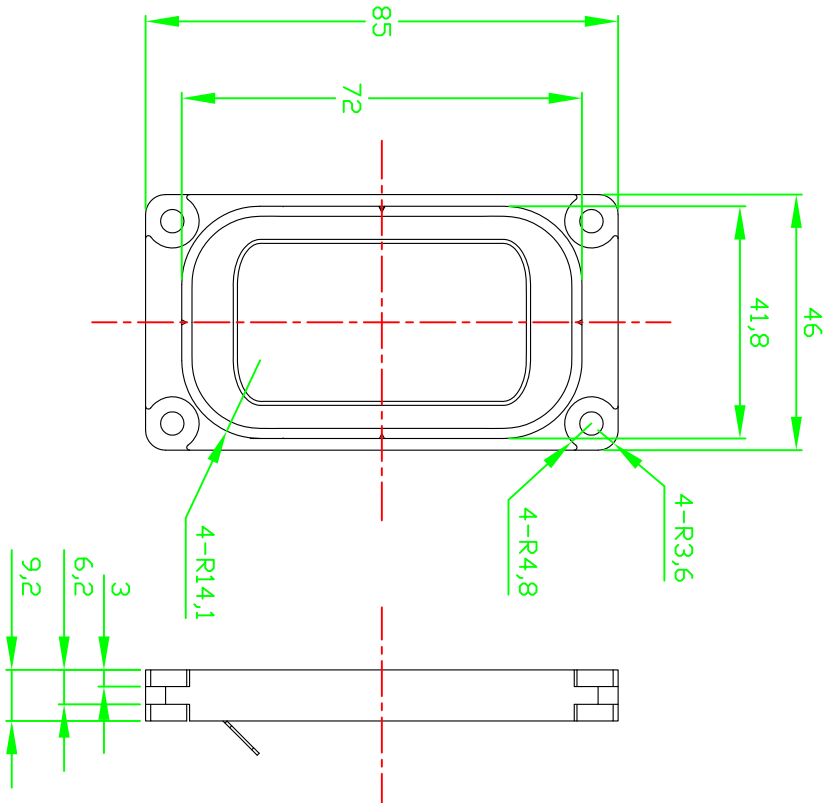
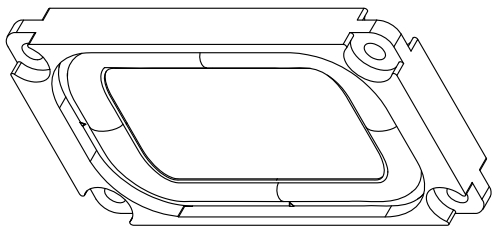


Document Name		Specifications Sheet		
Product Name :		Flat Speaker		
Customer's Part No. :				
Our Part No. :		FPS0204N3R2		
	Item	Specifications		
1	Type(Dia, Stru..F-rng)	70 x 40mm、Flat、170Hz-20kHz		
2	Rated (MAX) Input	5W (10W Max.)		
3	Rated Impedance	4Ω±15%		
4	Resonance Freq (fo)	160Hz±10%		
5	Sound Pressure Level	80dB±3dB 1W 0.5m (AVR 300,400,500,3k,4k,5k Hz)		
6	Flux Density	1.2 T (1T=10,000 GAUSS)		
7	Polarity	When a positive DC current is applied to the voice coil terminal marked PLUS, the diaphragm shall move		
8	Terminal	positive side : #205 or equivalent negative side : #110 or equivalent		
9	Mass	55g		
10	Magnet	Rare Earth 10 x 10 x 3 8pcs		
11	Outside Dimensions	W46mm x H85mm x D9.2mm		
Life Test				
1	Heat Resistance	70°C 20-50% RH, 96 Hours		
2	Cold Resistance	-40°C, 96 Hours		
3	Humidity Resistance	92-96%, 40°C, 96 Hours		
4	Load Test	15-25°C, 96 Hours		
5	Withstand Voltage Test	AC 100V 1M Ω UPPER		
6	Environmental Standard	Comply with RoHS		
7	Pass Criterion	Be normal in an operation, sound pressure frequency characteristic, and structure. (However, we judged the Environmental test return to normal temperature and normal humidity for 24 hours after the test.)		
Representative frequency response		1W/0.5m / JIS C5532		
8				
9	APVD.	CHK.	DRAW.	Product Dept.
	Anamoto	Ito	Kuniyuki	Date Nov.11. 2009
FPS INC. Tokyo Japan				



部品名/規格名: FPS-0204N3R2 部品番号: FPS-0204N3R2 寸法: 401 角座: 角座:		仕入れ: 小松 製作 091116	図面決定不可 改訂:
種類: 品番: 仕様: 数量: 550	名称: FPS-0204N3R2 外観図	図面番号: FPS-0204N3R2	数量: 10 種類: 1/1